



NEW

DISPLAY PROGRAMMABILE

TERA12 HE

12.1" TFT ADVANCED DISPLAY



DESCRIZIONE

TERA12 HE è il display più avanzato nel mercato off-highway. Usa il recente potente processore Freescale IMX6TM, che unisce le caratteristiche di multimedialità avanzata e gestione grafica. Permette grafica 3D, velocità superiore, schermi multitouch capacitivi e look stile tablet, sempre avendo come base di progetto gli standard industriali.

APPLICAZIONI

- Gru telescopiche o a traliccio di grandi dimensioni
- Gru portuali
- Compattatori e macchine municipali
- Macchine da fondazione e scavo
- Terminal ISOBUS UT per trattori agricoli
- Mezzi anti-incendio

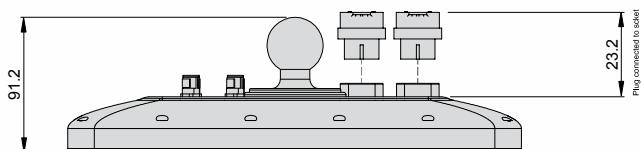
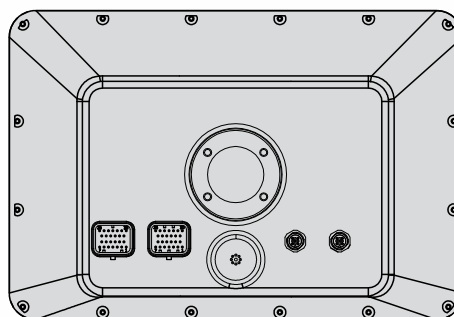
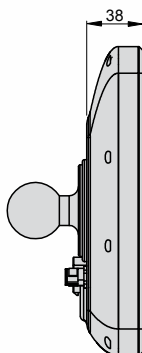
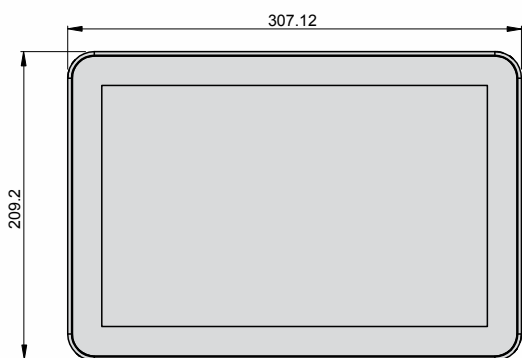
TERA 12 HE senza tasti - no keys

MODELLI DISPONIBILI

TERA12 HE LOW: multitouch, senza tasti, caratteristiche base
 TERA12 HE HIGH: multitouch, senza tasti, full optional

AVAILABLE MODELS

TERA12 HE LOW: multitouch, no keys, low specs
 TERA12 HE HIGH: multitouch, no keys, high specs





TERA 12 HE

DESCRIPTION

TERA12 HE is the high end display solution for off-highway market. It runs with the latest Freescale IMX6TM processor, that joins strong multimedia capabilities and graphics management. It allows 3D graphics, multitouch capacitive touchscreen, tablet-style looking, always keeping the industrial standards at base of design.

APPLICATIONS

- High size telescopic or lattice boom cranes
- Harbor cranes
- Compactors and municipalities
- Foundation machines
- Terminal ISOBUS UT for tractors
- Fire fighting machines

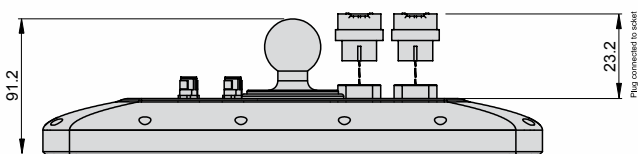
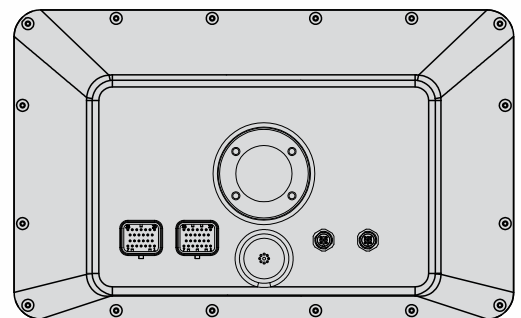
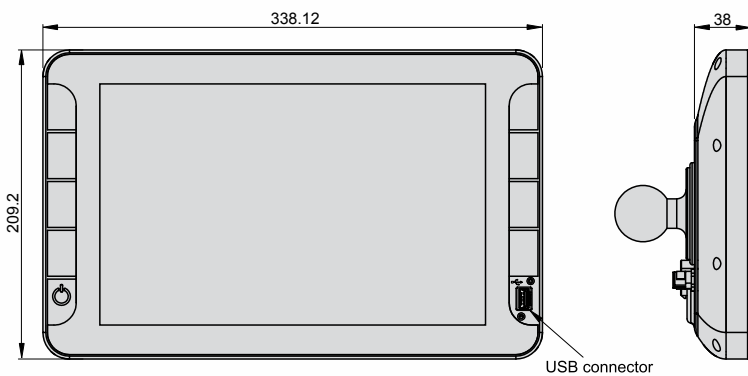
TERA 12 HE KEY

MODELLI DISPONIBILI

TERA12 HE KEY LOW: multitouch, 9 tasti, caratteristiche base
TERA12 HE KEY HIGH: multitouch, 9 tasti, full optional

AVAILABLE MODELS

TERA12 HE KEY LOW: multitouch, 9 softkeys, low specs
TERA12 HE KEY HIGH: multitouch, 9 softkeys, high specs





SPECIFICHE TECNICHE:

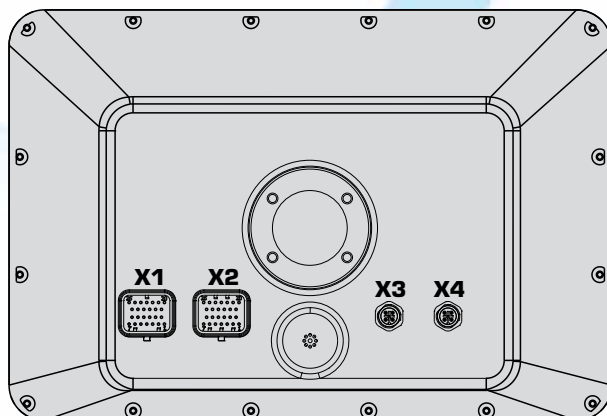
	BASIC	FULL
Tensione di alimentazione:	8 - 32 V	8 - 32 V
Temperatura di funzionamento:	- 30°C ÷ +65°C	- 30°C ÷ +65°C
Grado di protezione:	IP65	IP65
Processore:	Freescale iMx6 Dual Core, 32 bit	Freescale iMx6 Dual Core, 32 bit
Frequenza:	850Mhz	850Mhz
Memoria interna:	8 GB Flash	8 GB Flash
RAM:	1 GB	1 GB
Display:	TFT 12.1", 1280 x 800 pixels, 500 cdm, 750:1 rapp. Contrasto	TFT 12.1", 1280 x 800 pixels, 500 cdm, 750:1 rapp. Contrasto
Display Mode:	16:9, Portrait/Landscape	16:9, Portrait/Landscape
Visibilità al sole:	Si	Si
Touchscreen:	Multitouch capacitivo con tecnologia bonding (funzionamento con guanti)	Multitouch capacitivo con tecnologia bonding (funzionamento con guanti)
RTC:	Si	Si
Wake up mode:	Alimentazione, messaggio CAN, ingresso chiave	Alimentazione, messaggio CAN, ingresso chiave
Tempo di boot:	< 1 sec da stdby, ca 10 da cold boot	< 1 sec da stdby, ca 10 da cold boot
Sensore temperatura interna:	Si	Si
Accelerometro/Giroscopio	Si	Si
Tasti:	4+4 tasti frontali, 1 tasto programmabile come ON/OFF (KEY VERSION)	4+4 tasti frontali, 1 tasto programmabile come ON/OFF (KEY VERSION)
Buzzer:	100 dB, volume regolabile	100 dB, volume regolabile
Porte CAN Bus:	4	4
RS232:	1 port full modem 1 port Linux Terminal	1 port full modem 1 port Linux Terminal
Porte USB:	1 HOST esterna (VERSIONE KEY) 2 HOST su connettore 1 OTG Device su connettore	1 HOST esterna (VERSIONE KEY) 2 HOST su connettore 1 OTG Device su connettore
Video Input:	2 PAL/NTSC in contemporanea	4 PAL/NTSC in contemporanea Video over IP
Ethernet:	-	1 port 10/100
Audio:	-	1 Audio input 1 Audio output (non amplificato)
GPS:	-	1 ricevitore con antenna integrata (3 mt precisione)
Bluetooth LE:	-	Si
Wi-Fi:	-	Si
Lista I/O:	-	4 ingressi analogici/digitali 2 uscite Low/High Side 1A 1 uscita Low Side 0.5A
Connettori:	2 x AMP automotive 26 pin (segnali) 1 x M12 8 pin (video camera)	2 x AMP automotive 26 pin (segnali) 1 x M12 8 pin (video camera)
Sistema operativo:	Linux, Android	Linux, Android
Standards:	EMC industrial, automotive, agricolo ISO 11783 (ISOBUS UT+TC)	EMC industrial, automotive, agricolo ISO 11783 (ISOBUS UT+TC)
Linguaggi di programmazione:	C, C++, QT	C, C++, QT
Programming IDE	VT3, Android Studio	VT3, Android Studio



SPECIFICHE TECNICHE TECHNICAL SPECIFICATIONS

TECHNICAL SPECIFICATIONS:

	BASIC	FULL
Power supply voltage:	8 - 32 V	8 - 32 V
Operative temperature:	- 30°C ÷ +65°C	- 30°C ÷ +65°C
Sealing:	IP65	IP65
Main CPU:	Freescaple iMx6 Dual Core, 32 bit	Freescaple iMx6 Dual Core, 32 bit
Frequency:	850Mhz	850Mhz
Internal memory:	8 GB Flash	8 GB Flash
RAM:	1 GB	1 GB
Display:	TFT 12.1", 1280 x 800 pixels, 500 cdm, 750:1 contrast ratio	TFT 12.1", 1280 x 800 pixels, 500 cdm, 750:1 contrast ratio
Display Mode:	16:9, Portrait/Landscape	16:9, Portrait/Landscape
Sun readability:	Yes	Yes
Touchscreen:	Capacitive multitouch with bonding technology (gloves compatible)	Capacitive multitouch with bonding technology (gloves compatible)
RTC:	Yes	Yes
Wake up mode:	Power supply, CAN message, ignition key	Power supply, CAN message, ignition key
Boot time:	< 1 sec from stdby, about 10 sec from cold boot	< 1 sec from stdby, about 10 sec from cold boot
Internal temperature sensor:	Yes	Yes
Internal accelerometer / gyroscope:	Yes	Yes
Keys:	4+4 softkeys on front panel, 1 softkey programmable also as ON/OFF (KEY VERSION)	4+4 softkeys on front panel, 1 softkey programmable also as ON/OFF (KEY VERSION)
Buzzer:	100 dB, volume adjustable	100 dB, volume adjustable
CAN Bus ports:	4	4
RS232:	1 port full modem 1 port Linux Terminal	1 port full modem 1 port Linux Terminal
USB ports:	1 HOST external (only on KEY) 2 HOST on connector 1 OTG Device on connector	1 HOST external (only on KEY) 2 HOST on connector 1 OTG Device on connector
Video Input:	2 PAL/NTSC simultaneous	4 PAL/NTSC simultaneous Video over IP
Ethernet:	-	1 port 10/100
Audio:	-	1 Audio input port 1 Audio output port (not amplified)
GPS:	-	1 receiver with integrated antenna (3 mt accuracy)
Bluetooth LE:	-	Yes
Wi-Fi:	-	Yes
I/O List:	-	4 analog/digital Inputs 2 Outputs Low/High Side 1A 1 Output Low Side 0.5A
Connector:	2 x AMP automotive 26 pin (signal) 1 x M12 8 pin (video camera)	2 x AMP automotive 26 pin (signal) 1 x M12 8 pin (video camera)
Operating System:	Linux, Android	Linux, Android
Standards:	EMC industrial, automotive, agriculture ISO 11783 (ISOBUS UT+TC)	EMC industrial, automotive, agriculture ISO 11783 (ISOBUS UT+TC)
Programming languages:	C, C++, QT	C, C++, QT
Programming IDE:	VT3, Android Studio	VT3, Android Studio



X1

Pin	Funzione - Function	Descrizione - Description
1	+V (+30)	Power Supply Always ON for Stand-by mode
2	CAN3-L	CAN BUS Low (Line 3)
3	CAN4-H	CAN BUS High (Line 4)
4	CAN4-L	CAN BUS Low (Line 4)
5	USB-OTG_D+	USB OTG Data+
6	USB-OTG_D-	USB OTG Data-
7	USB-OTG_VBUS	USB OTG VBUS
8	AUDIO-GND	Audio Signal Ground
9	CAN3-H	CAN BUS High (Line 3)
10	CAN1-H	CAN BUS High (Line 1)
11	CAN1-L	CAN BUS Low (Line 1)
12	USB-OTG_ID	USB OTG ID
13	USB-OTG_GND	USB OTG Ground
14	CAN2-L	CAN BUS Low (Line 2)
15	GND	Ground Signal
16	AUDIO-IN	Audio Signal Input
17	HEADPHONE-RET	Headphone Return
18	HEADPHONE-R	Headphone Right
19	HEADPHONE-L	Headphone Left
20	CAN2-H	CAN BUS High (Line 2)
21	GND	Ground Signal
22	+V (+15)	Switched Power Supply (Main Power)
23	ETH_T+	Ethernet T+
24	ETH_T-	Ethernet T-
25	ETH_R+	Ethernet R+
26	ETH_R-	Ethernet R-

X1: 26 POLES TYCO SUPERSEAL CH3

X3

Pin	Funzione - Function	Descrizione - Description
1	+VB	Power Supply
2	-VB	Ground
3	VIDEO-IN3	Input Video 3
4	VIDEO-GND	Ground Signal
5	+VB	Power Supply
6	-VB	Ground
7	VIDEO-IN4	Input Video 4
8	GND	Ground Signal

X3: 8 POLES MALE M12 A-CODING CONNECTOR

X2

Pin	Funzione - Function	Descrizione - Description
1	OUT0	1 A digital output Low/High Side
2	UART2_RX	COM2 - RX Signal
3	USB3_D-	USB3 Data-
4	USB3_D+	USB3 Data+
5	USB3_GND	USB3 Ground
6	USB3_VBUS	USB3 VBUS
7	UART1_CTS	COM1 - CTS Signal
8	OUT1	1A digital output Low/High Side
9	UART2_TX	COM2 - TX Signal
10	UART1_DCD	COM1 - DCD Signal
11	UART1_DSR	COM1 - DSR Signal
12	UART1_RTS	COM1 - RTS Signal
13	UART1_RI	COM1 - RI Signal
14	AIO/DIO	Analog/Digital Input
15	AI1/DI1	Analog/Digital Input
16	UART1_RX	COM1 - RX Signal
17	UART1_TX	COM1 - TX Signal
18	UART1_DTR	COM1 - DTR Signal
19	OUT2	500mA digital output Low Side
20	AI2/DI2	Analog/Digital Input
21	AI3/DI3	Analog/Digital Input
22	GND	Ground Signal
23	USB4_D+	USB4 Data+
24	USB4_D-	USB4 Data-
25	USB4_GND	USB4 Ground
26	USB4_VBUS	USB4 VBUS

X2: 26 POLES TYCO SUPERSEAL CH5

X4

Pin	Funzione - Function	Descrizione - Description
1	+VB	Power Supply
2	-VB	Ground
3	VIDEO-IN1	Input Video 1
4	VIDEO-GND	Ground Signal
5	+VB	Power Supply
6	-VB	Ground
7	VIDEO-IN2	Input Video 2
8	GND	Ground Signal

X4: 8 POLES MALE M12 A-CODING CONNECTOR



COBO SpA

Via Tito Speri, 10

25024 Leno (Brescia) ITALY

Phone +39 030 90451

Fax +39 030 9045330



Via Sivo, 74

28053 Castelletto Sopra Ticino (Novara) ITALY

Phone +39 0331 92861

Fax +39 0331 972160

info@cobogroup.net | www.cobogroup.net

FOLLOW US

